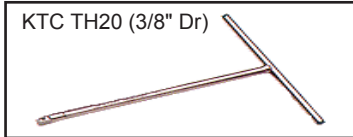


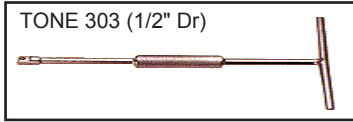
WRENCHES



No. W005 KTC T-SHAPE WRENCH- Japan

Stock No.	Item	Length x Handle (mm)	Box	Unit Price (pc)
005-481-20	TH20	250 x 200	10	

Made of chrome vanadium steel, chrome-plated. TH20 can be used on 3/8" Dr Socket.



No. W005 TONE T-SHAPE WRENCH- Japan

005-483-303	303	300 x 190	5	
-------------	-----	-----------	---	--

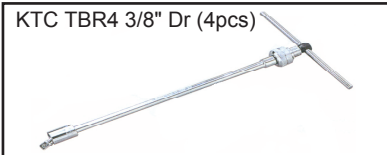
Made of chrome vanadium steel, chrome-plated. 303 can be used on 1/2" Dr Socket.



Made of chrome vanadium steel, chrome-plated.

No. W005 KTC FLEX T-SHAPE WRENCH- Japan

Stock No.	Item - Size (mm)	Length x Handle (mm)	Box	Unit Price (pc)
005-485-10	THF2-10	330 x 180	10	
005-485-12	THF2-12	330 x 180	10	
005-485-13	THF2-13	330 x 180	10	
005-485-14	THF2-14	335 x 180	10	
005-485-17	THF2-17	335 x 180	10	
Long Handle Type				
005-486-10	THF2-10L	700 x 180	10	
005-486-12	THF2-12L	700 x 180	10	
005-486-13	THF2-13L	700 x 180	10	
005-486-14	THF2-14L	705 x 180	10	
005-486-17	THF2-17L	705 x 180	10	

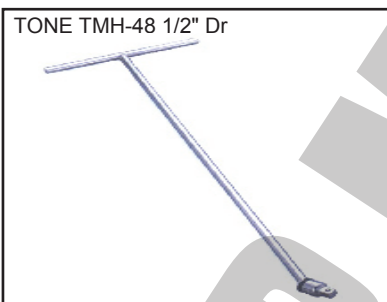


No. W005 KTC RATCHET ADAPTOR SET- Japan

Stock No.	Description	Box	Unit Price (set)
005-487-04	TBR4 - 4pcs	1	

Contents : BLHD20, BRA21, BE20-300, BJF20

Made of chrome vanadium steel, chrome-plated



No. W005 TONE 1/2" Dr T-TYPE TRANSMISSION HANDLE- Japan

Stock No.	Item	Ø x Handle x Length (mm)	Box	Unit Price (pc)
005-487-48	TMH-48	25 x 220 x 654	10	

Made of chrome vanadium steel, chrome-plated



Made of heat-treated alloy steel, chrome-plated.

No. W005 KTC L-TYPE WHEEL-NUT WRENCH- Japan

Stock No.	Item - Size (mm)	Length (mm)	Box	Unit Price (pc)
005-488-14	OH- 14	200	10	
005-488-17	OH- 17	250	10	
005-488-19	OH- 19	280	10	
005-488-21	OH- 21	280	10	
005-488-23	OH- 23	300	10	
005-488-26	OH- 26	300	10	