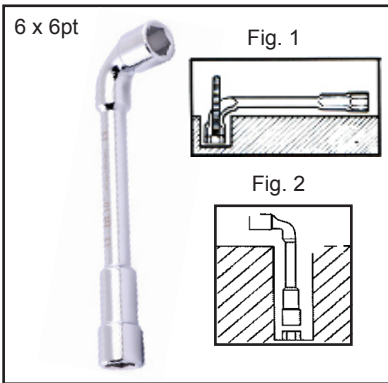


WRENCHES

No. W005 M10^(R) L-WRENCH (ANGLE PIPE WRENCH)- Taiwan



- Made of high grade chrome-vanadium steel. 6140, Mirror Finish.
- Back open for bolt clearance (Fig.1)
- Long arm for hard to reach areas (Fig.2)

Stock No.	Size (mm) (6pt x 6pt)	Length(mm) Handle x Angle Pipe	Ø (mm)	Box	Unit Price (pc)
005-065-9032	3.2	100 x 22	5.8	10	
005-065-904	4	100 x 22	6.8	10	
005-065-9045	4.5	100 x 22	7.4	10	
005-065-905	5	100 x 22	8.0	10	
005-065-9055	5.5	100 x 22	8.7	10	
005-065-906	6	100 x 22	10.0	10	
005-065-907	7	100 x 22	11.0	10	
005-065-908	8	120 x 25	12.0	10	
005-065-909	9	120 x 25	13.0	10	
005-065-910	10	127 x 30	15.0	10	
005-065-911	11	127 x 30	16.0	10	
005-065-912	12	135 x 34	17.0	10	
005-065-913	13	140 x 34	20.0	10	
005-065-914	14	154 x 40	21.0	10	
005-065-915	15	160 x 40	22.0	10	
005-065-916	16	185 x 45	24.0	10	
005-065-917	17	185 x 45	25.3	10	
005-065-918	18	195 x 52	28.5	10	
005-065-919	19	195 x 52	28.5	10	
005-065-920	20	205 x 54	29.5	10	
005-065-921	21	205 x 54	30.0	10	
005-065-922	22	225 x 60	32.0	10	
005-065-923	23	225 x 60	33.0	10	
005-065-924	24	225 x 63	34.5	10	
005-065-925	25	225 x 63	35.0	10	
005-065-926	26	260 x 67	36.0	10	
005-065-927	27	260 x 67	36.5	10	
005-065-928	28	270 x 70	38.5	10	
005-065-929	29	275 x 70	40.0	10	
005-065-930	30	295 x 75	42.0	10	
005-065-932	32	305 x 79	44.0	10	
005-065-935	35	390 x 90	48.5	10	